

WALL HUNG URINAL STALL



Scan QR code
to view online



features and benefits

- WELS and WaterMark certified
- Made from satin stainless steel
- Robust construction
- Budget model
- Top water entry
- Quick and easy to install
- Compatible with wall mounted cisterns
- Suited to pubs, clubs and public amenities

about

The *BRITEX Wall Hung Urinal Stall* is designed for commercial or industrial applications that may be prone to vandalism. The one piece design makes this urinal suitable for areas where minimal maintenance is required. WaterMark and WELS certified as required by plumbing regulations and government legislation.

sample spec. text

BRITEX S.S. Wall Hung Urinal Stall - 5 WELS rating and WaterMark Level 1 certified - Product Code UWHU*

*RED TEXT may denote a **variable** where one option only is to be selected, a **nominal dimension** that needs to be specified, or an **optional feature** that can be removed if not required. Please refer to the back of this page for additional specification details and options.

VISIT BRITEX.COM.AU TO DOWNLOAD BIM FILES, CAD DRAWINGS AND THE MOST CURRENT PRODUCT LITERATURE.



MELBOURNE
Britex Place, Mirra Crt
Bundoora VIC 3083
t (03) 9466 9000
f (03) 9466 9011

SYDNEY
16 Northumberland Drv
Taren Point NSW 2229
t (02) 9531 2100
f (02) 9531 2800

PERTH
Unit 1/8 Principal Link
Malaga WA 6090
t (08) 9249 5464
f (08) 9248 6893

BRISBANE
19 Manilla St
East Brisbane QLD 4169
t (07) 3363 2400
f (07) 3363 2444

ADELAIDE
The Britex Group
SA State Office
t 1300 764 744
f 1300 784 306

britex.com.au | info@britex.com.au | A.B.N 83 004 309 737

WALL HUNG URINAL STALL

PRODUCT CODE

UWHU

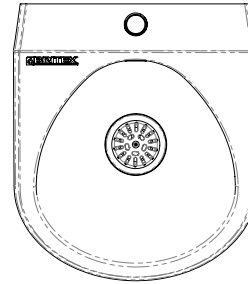
Suggested Mounting Heights:

Dimension from finished floor to front edge/rim of urinal

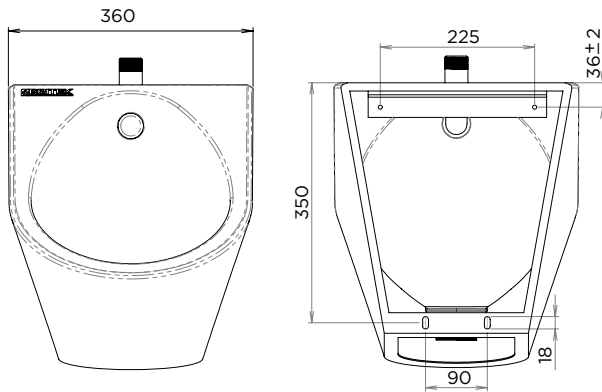
Adults - 610 mm

Juniors - 510 mm

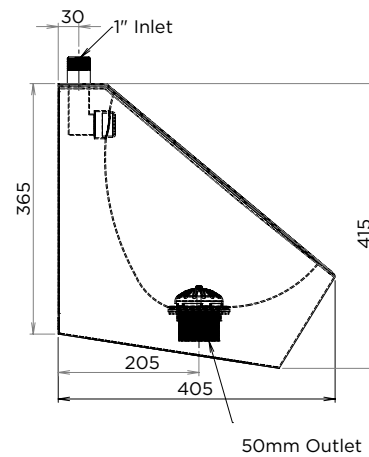
NB: Heights are suggestions only, subject to suitability of users for each individual project.



MODEL UWHU Plan



MODEL UWHU Front & Rear Elevation



MODEL UWHU Section

specifying guide

When specifying this product please include:

- Product Name and Code
- Product Features
- Product Dimensions

options

- BRITEX Flushing System - Push Button Cistern FCS: p 3.05

VISIT BRITEX.COM.AU TO DOWNLOAD BIM FILES, CAD DRAWINGS AND THE MOST CURRENT PRODUCT LITERATURE.